



General Catalogue

SHIMGE PUMP INDUSTRY (ZHEJIANG) CO., LTD.



Submersible pump & sewage pump

50Hz



Immediately join the Shimge Family by scanning:
<https://www.shimgepump.com>

SHIMGE PUMP INDUSTRY (ZHEJIANG) CO., LTD.

Add: Dayangcheng Industrial Zone, Daxi Town, Wenling City, Zhejiang Province, China
Tel: +86-576-86339960
Fax: +86-576-86337079
Email: admin@shimge.com

Submersible Sewage Pump



WQ

Performance Range

Max. Flow: 400m³/h
Max. Head: 46m

Application Limits

- ⊙ Maximum liquid temperature +40°C
- ⊙ pH level from 4-10
- ⊙ Maximum liquid density 1.2×10³ kg/m³
- ⊙ Voltage fluctuation range ± 10%
- ⊙ Immersion depth from 0.5m-5m

Certificate



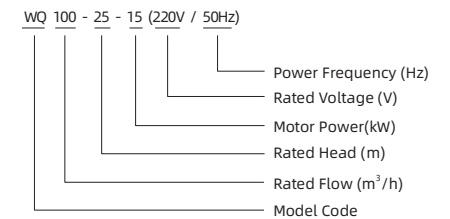
Application Fields

WQ(Single stage with high power) series pumps are widely applied in industry, agriculture, mining, construction, municipal, environmental protection, etc. They are suitable for draining water containing particles such as short fibers, paper scraps, etc. and soft solid, such as muddy water, dirty water, domestic wastewater, sewage, manure, etc. They are ideal equipment for agricultural irrigation and drainage, pool silt cleaning and site construction, but do not apply to the location with explosion-proof requirements.

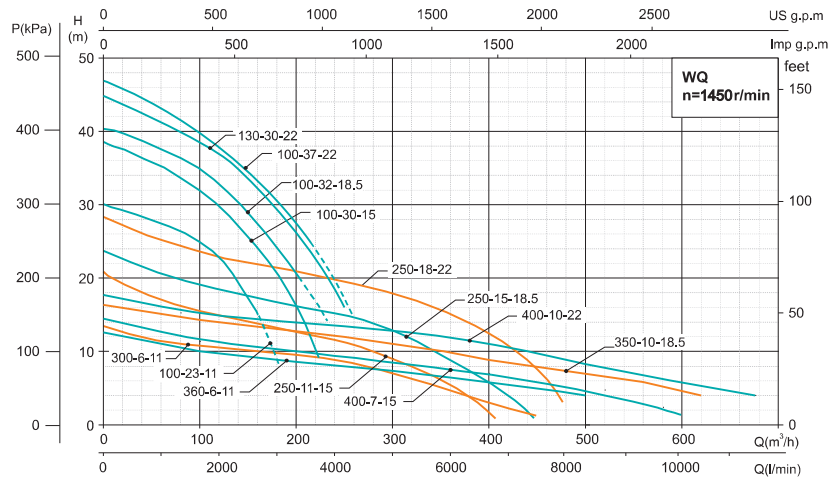
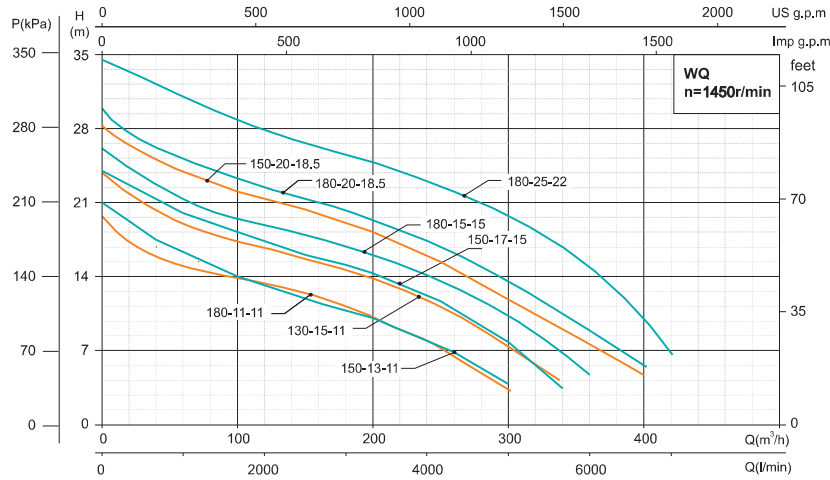
Features

- ⊙ Large power submersible sewage pump, the standard flange outlet.
- ⊙ Double channel impeller, good flowing capacity, excellent hydraulic performance.
- ⊙ Stainless steel shaft extension and carbide double sides mechanical sealing.

Model Instruction

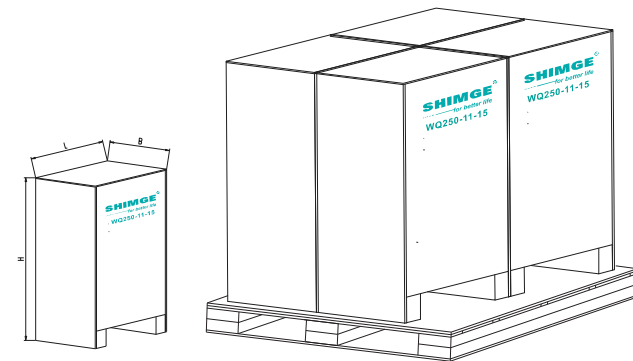


Performance Curve

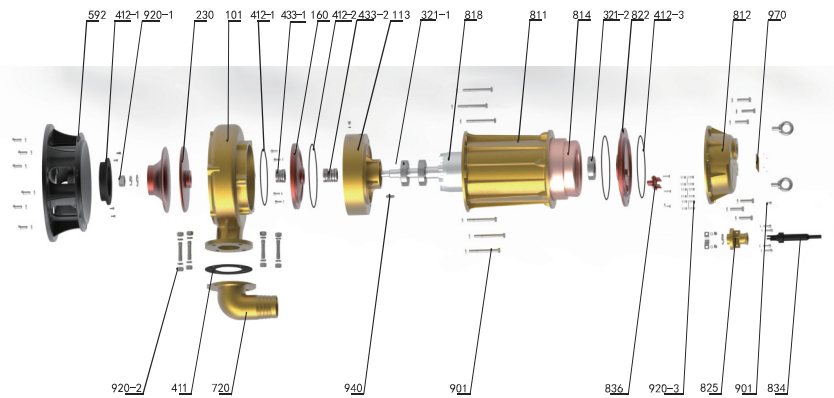


Model	Power		Rate Current (A)	Solids Passage (mm)	Max. Flow (m³/h)	Max. Head (m)	Head Range (m)	Cable line (m)	Dim.mm (LxWxH)	G. W (kg)	20' Loading Qty. (pcs)	
	Single-Phase	kW										HP
WQ100-23-11		11	15	22.9	35	175	29	29~15	3*6+1*4-8	600x560x1230	253	69
WQ130-15-11		11	15	22.9	45	330	22	22~0	3*6+1*4-8	590x500x1290	256	76
WQ150-13-11		11	15	22.9	45	320	18	18~0	3*6+1*4-8	590x500x1290	253	76
WQ180-11-11		11	15	22.9	50	300	20	20~0	3*6+1*4-8	590x500x1290	253	76
WQ100-30-15		15	20	30.8	35	190	33	33~0	3*6+1*4-8	600x560x1230	270	69
WQ150-17-15		15	20	30.8	45	350	25	25~0	3*6+1*4-8	590x500x1290	268	76
WQ180-15-15		15	20	30.8	50	320	23	23~0	3*6+1*4-8	590x500x1290	268	76
WQ250-11-15		15	20	30.8	50	400	20	20~0	3*6+1*4-8	660x570x1380	298	55
WQ400-7-15		15	20	30.8	65	620	14	14~0	3*6+1*4-8	620x560x1450	312	55
WQ100-32-18.5		18.5	25	37.2	35	224	37	37~20	3*10+1*6-8	690x600x1300	338	54
WQ150-20-18.5		18.5	25	37.2	45	350	28	28~0	3*10+1*6-8	640x570x1350	356	61
WQ180-20-18.5		18.5	25	37.2	45	400	28	28~0	3*10+1*6-8	640x570x1350	365	61
WQ250-15-18.5		18.5	25	37.2	50	400	22	22~0	3*10+1*6-8	660x610x1450	372	48
WQ350-10-18.5		18.5	25	37.2	55	520	17	17~0	3*10+1*6-8	620x560x1525	370	55
WQ100-37-22		22	30	49.4	35	249	44	44~25	3*10+1*6-8	690x600x1300	351	54
WQ180-25-22		22	30	49.4	45	340	32	32~0	3*10+1*6-8	640x570x1350	366	61
WQ250-18-22		22	30	49.4	50	450	27	27~0	3*10+1*6-8	660x610x1450	377	48
WQ400-10-22		22	30	49.4	60	630	18	18~0	3*10+1*6-8	620x560x1525	385	55

Centrifugal pumps are not recommended to be used less than the lift range.

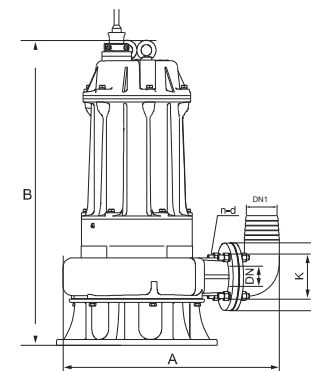


Components & Materials



No.	Part name	No.	Part name	No.	Part name
101	Pump body	433-1	Mechanical seal	834	Cable sheath
160	Oil chamber cover	433-2	Mechanical seal	836	Terminal block
113	Oil chamber	502	Seal ring	901	Hexagon head bolt M12x125
230	Impeller	592	Base	920-1	Hexagon nut - Style 1
321-1	Deep groove ball bearing	720	Outlet joint	920-2	Hexagon nut - Style 1
321-2	Deep groove ball bearing	811	Casing	920-3	Hexagon nut - Style 1
411	Rubber washer	812	Head cover	940	Flat key
412-1	O-ring	814	Stator core with winding	970	Nameplate
412-2	O-ring	818	Rotor	752-1	Check valve seat
412-3	O-ring	822	Upper bearing block		
412-4	O-ring	825	Cable pressing plate		

Dimensions & Weight



Model	Dim.(mm)						N.W. (kg)
	A	B	DN1/DN	D	K	n-d	
WQ100-23-11	710	995	4"	210	170	4-ø19	238
WQ130-15-11	750	995	6"	265	225	8-ø19	241
WQ150-13-11	750	995	6"	265	225	8-ø19	238
WQ180-11-11	750	995	6"	265	225	8-ø19	238
WQ100-30-15	710	995	4"	210	170	4-ø19	255
WQ150-17-15	750	995	6"	265	225	8-ø19	253
WQ180-15-15	750	995	6"	265	225	8-ø19	253
WQ250-11-15	855	1010	8"	320	280	8-ø19	283
WQ400-7-15	861	1040	8"	320	280	8-ø19	297
WQ100-32-18.5	775	1055	4"	210	170	4-ø19	323
WQ150-20-18.5	800	1070	6"	265	225	8-ø19	341
WQ180-20-18.5	800	1070	6"	265	225	8-ø19	341
WQ250-15-18.5	850	1065	8"	320	280	8-ø19	357
WQ350-10-18.5	861	1096	8"	320	280	8-ø19	355
WQ100-37-22	775	1055	4"	210	170	4-ø19	336
WQ180-25-22	800	1070	6"	265	225	8-ø19	351
WQ250-18-22	850	1065	8"	320	280	8-ø19	362
WQ400-10-22	861	1096	8"	320	280	8-ø19	370